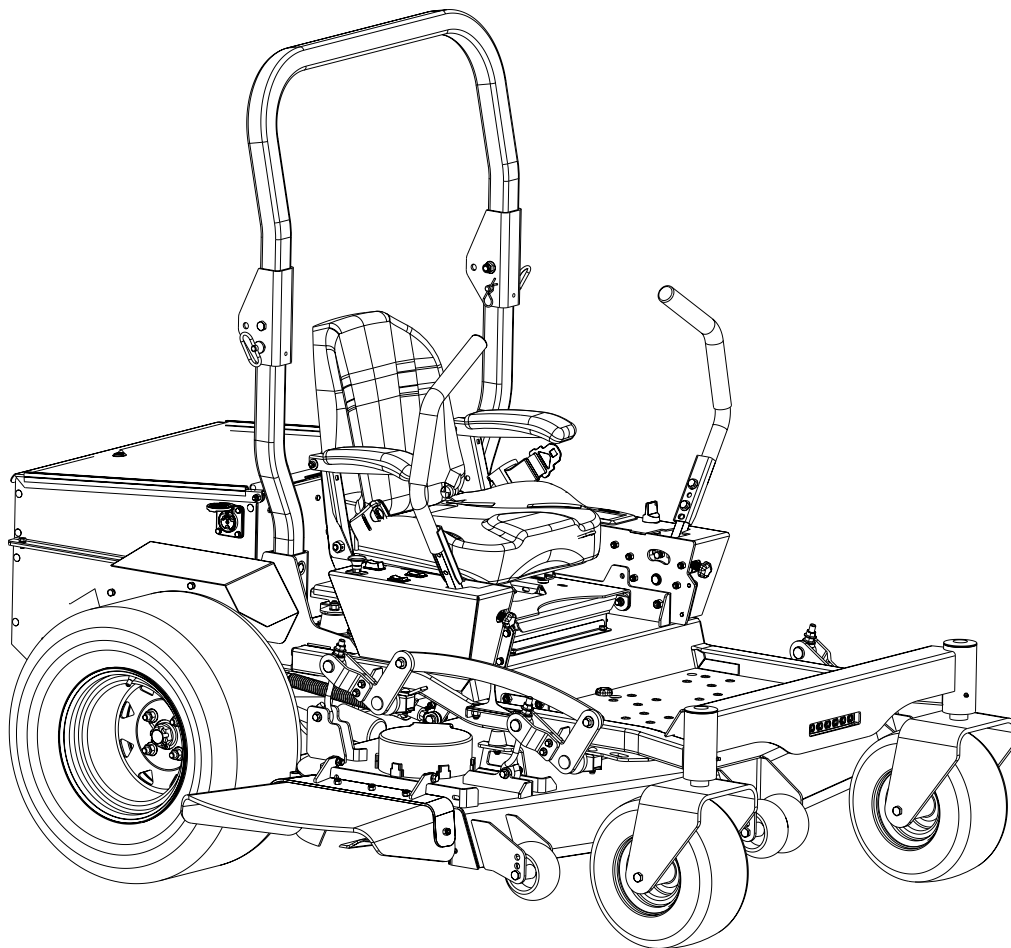


GREENWORKS

COMMERCIAL

Zero Turn Mower
2501702 (Model No.GZM52R)



Part's Manual

TOLL-FREE HELPLINE: 1-855-470-4267

www.GreenworksCommercial.com

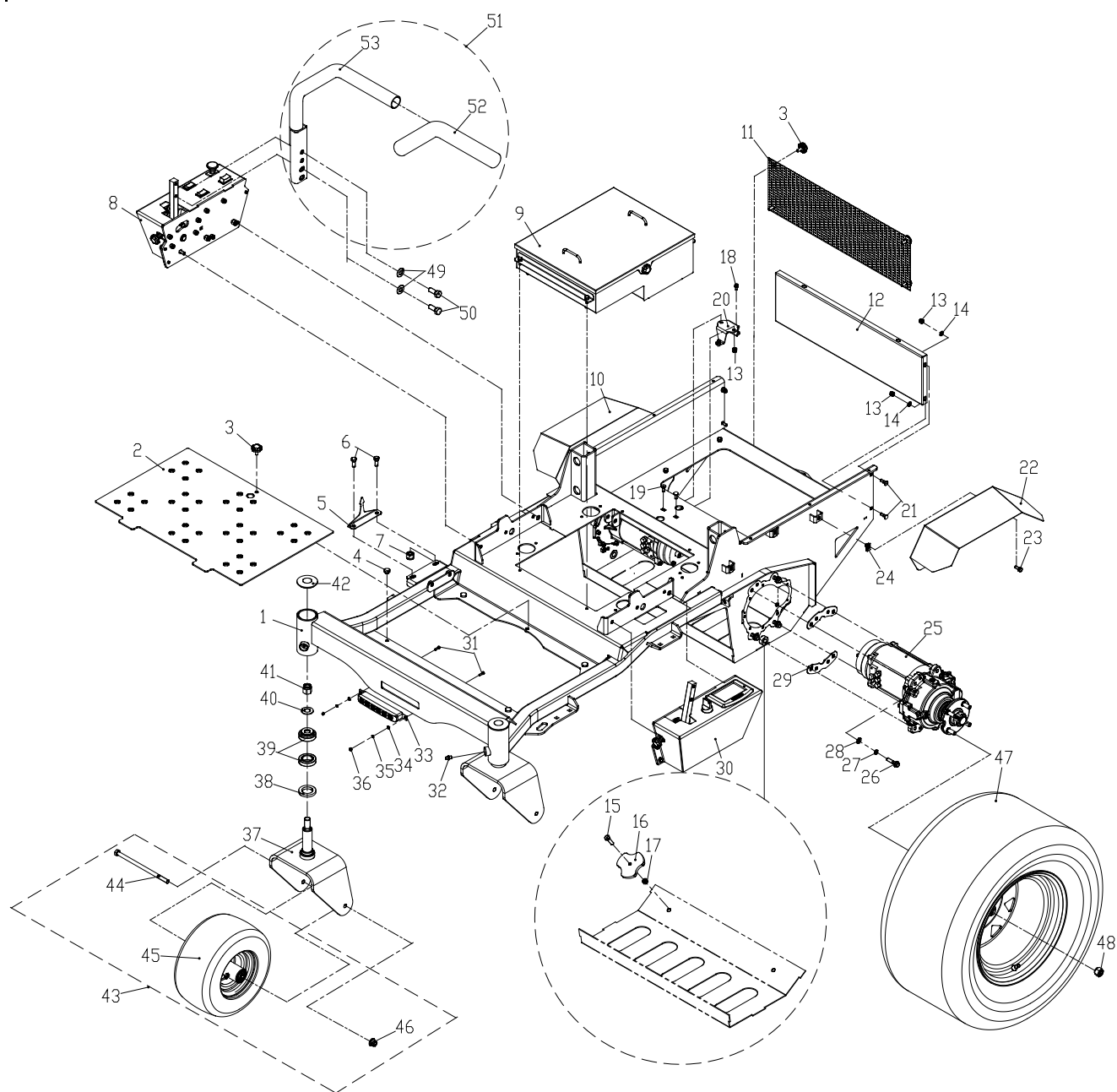
 Read all safety rules and instructions carefully before operating this tool.

CONTENTS

RACK ASSEMBLY.....	3
RIGHT MANIPULATION ASSEMBLY.....	6
RIGHT RETURN ASSEMBLY.....	9
LEFT MANIPULATION ASSEMBLY.....	11
LEFT RETURN ASSEMBLY.....	14
HEIGHT ADJUSTMENT ASSEMBLY.....	16
BATTERY COVER ASSEMBLY.....	18
CONTROL SYSTEM COVER ASSEMBLY.....	20
ROLL OVER PROTECTIVE ASSEMBLY.....	22
HEADER ASSEMBLY.....	24
SEAT ASSEMBLY.....	27
ELECTRICAL COMPONENTS.....	29

NOTE: ILLUSTRATIONS MAY OR MAY NOT REPRESENT THE ACTUAL ASSEMBLIES AND IT IS NOT RECOMMENDED TO USE THIS MANUAL AS A GUIDE TO ASSEMBLE OR DISASSEMBLE THE MOWER.

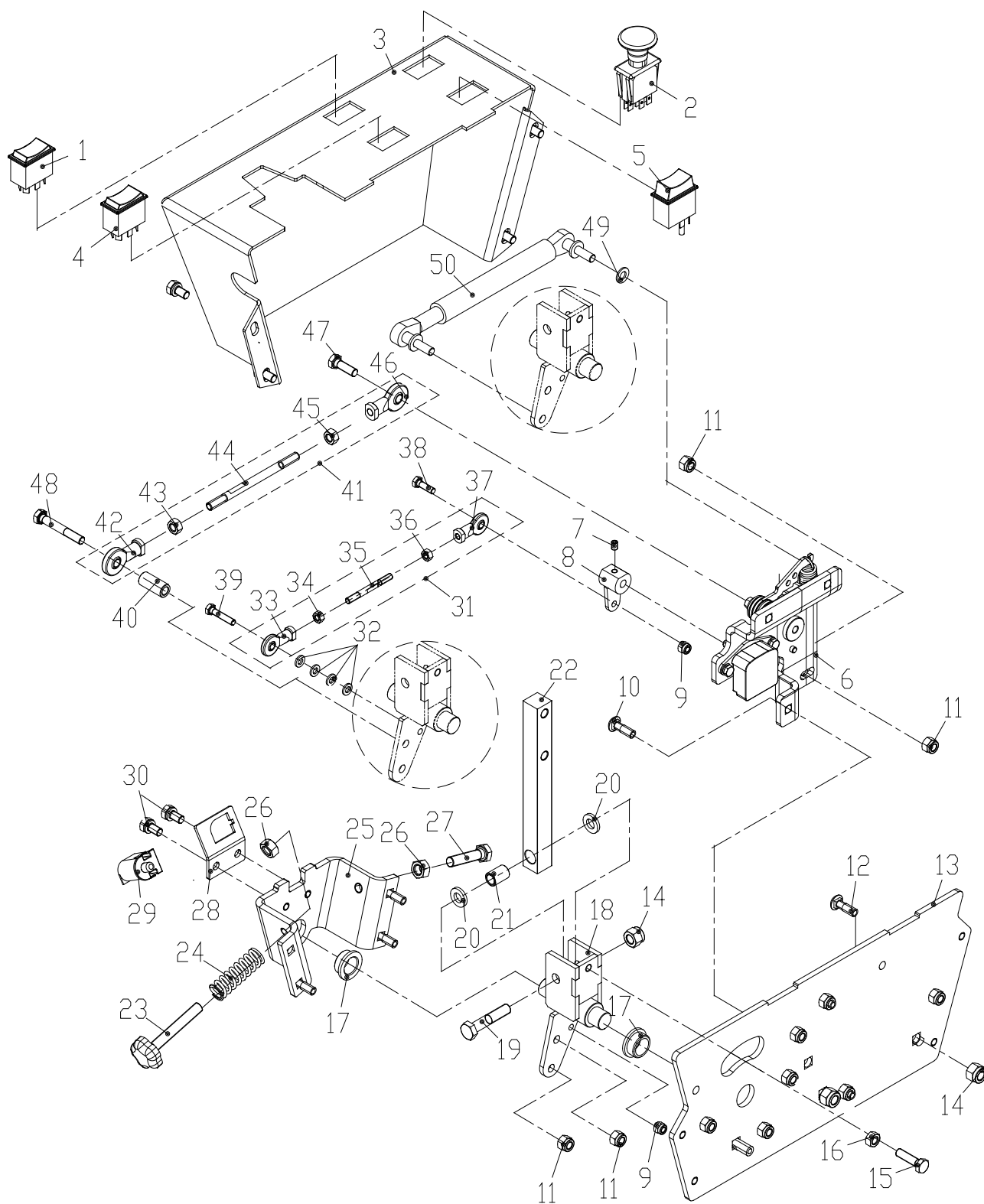
RACK ASSEMBLY



IETM NO.	PART NO.	DESCRIPTION	QTY
1-1	311411522	Small rack assembly	1
1-2	3330051522	Pedal	1
1-3	3120021523	Knob bolt	5
1-4	3420021522	Foot pad	4
1-5	3330011522	Pointer	1
1-6	3220211522	Bolt M10×25	6
1-7	3220331523	Lock nut M10	2
1-8	311421522	Right manipulation assembly	1
1-9	311251522	Control box assembly	1
1-10	3320151522	Right protective cover welding	1
1-11	3330241522	Rear baffle	1
1-12	3330301522	Lower back cover	1
1-13	3220391523	Lock nut M8	8
1-14	3220711523	Flat washer	4
1-15	3220041523	Bolt M10×40	2
1-16	3321051522	Manual release plate	2
1-17	3220631522	Nut M10	2
1-18	3220571523	Bolt assembly	6
1-19	3220501523	Bolt	4
1-20	3320471522	Upper bracket welding	2
1-21	3220511523	Bolt M8×25	4
1-22	3320141522	Left protective cover welding	1
1-23	3220591523	Bolt assembly	12
1-24	3220731523	Nut M8	6
1-25	3110061522	Motor drive assembly	2
1-26	3220691522	Bolt	8
1-27	3220101522	Spring washer	8
1-28	3220121522	Flat washer	10
1-29	3330441522	Pad	4
1-30	311401522	Left manipulation assembly	1

IETM NO.	PART NO.	DESCRIPTION	QTY
1-31	3220751523	Bolt M5×16	2
1-32	3290021523	Oil cup M6	2
1-33	3110051522	Led light	1
1-34	3220691523	Flat washer	2
1-35	3220621523	Spring washer	2
1-36	3220281523	Nut M5	2
1-37	3320022337	Front fork welding	2
1-38	3221101523	Oil seal	2
1-39	3221091523	Bearing	4
1-40	3220871523	Disc spring	6
1-41	3220881523	Lock nut m20	2
1-42	3320031522	Dust cap	2
1-43	311391522	Front wheel assembly	2
1-44	3320121522	Long bolt	1
1-45	3420191522	Front wheel assembly	1
1-46	3220291522	Lock nut M12	2
1-47	3420061522	Rear wheel	2
1-48	3320261523	Nut 1/2-20unf	8
1-49	3220191522	Disc spring	4
1-50	3220211522	Bolt M10×25	4
1-51	311691522	Manipulating lever assy	2
1-52	3410021522	Joystick cover	1
1-53	3320071522	Manipulating lever welding	1

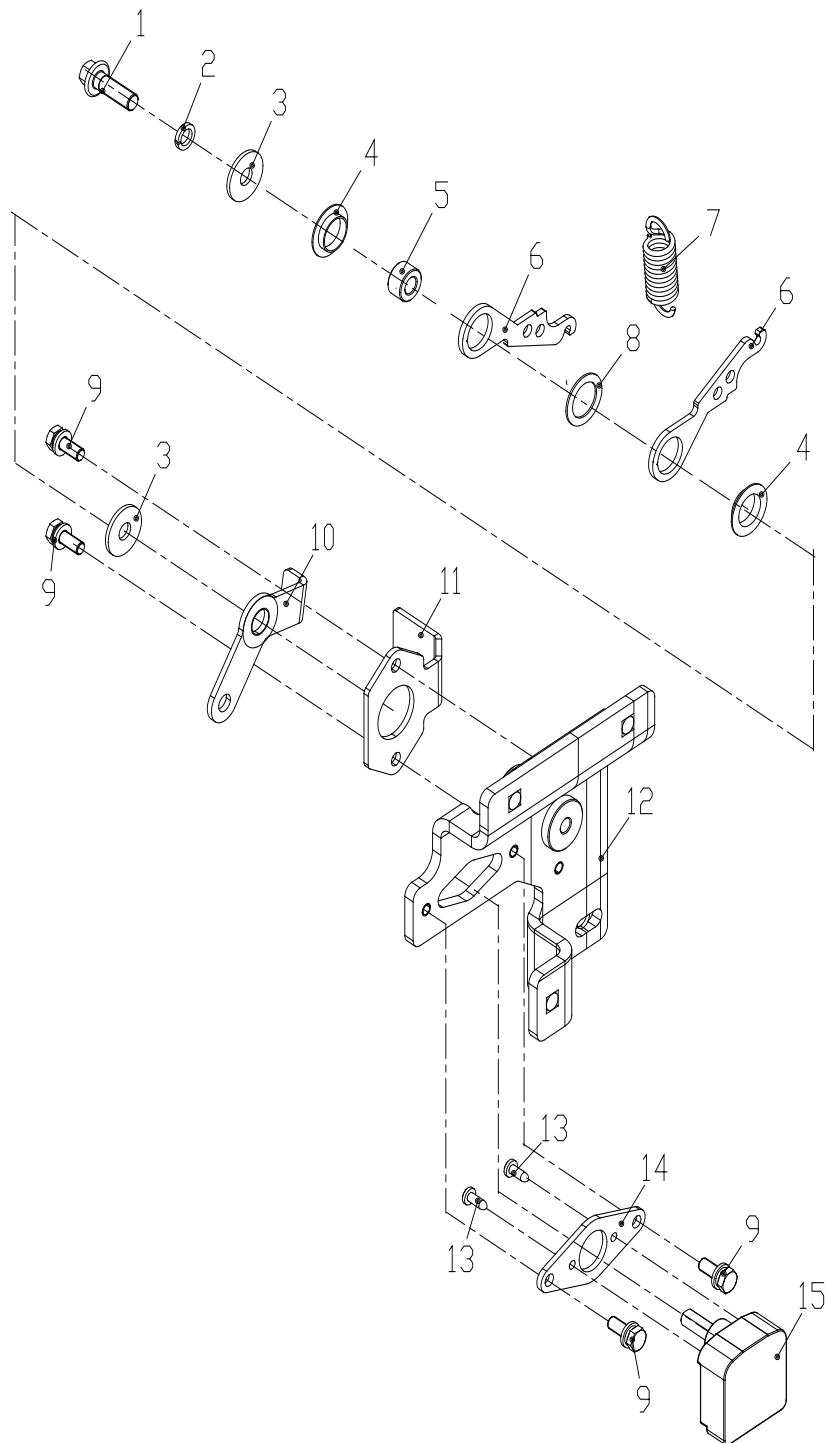
RIGHT MANIPULATION ASSEMBLY



IETM NO.	PART NO.	DESCRIPTION	QTY
2-1	3630051522	High and low gear switch	1
2-2	3630031522	Pto switch	1
2-3	3330181522	Right protective cover	1
2-4	3630051522	High and low gear switch	1
2-5	3630041522	Linear actuator	1
2-6	311351522	Right return assy	1
2-7	3221041523	Screw M6x6	1
2-8	3320671522	Shaft welding	1
2-9	3220381523	Lock nut M6	2
2-10	3220511523	Bolt m8×25	7
2-11	3220391523	Lock nut m8	11
2-12	3220161522	Bolt M10×25	3
2-13	3330171522	Fixed plate	1
2-14	3220331523	Lock nut M10	4
2-15	3220611522	Bolt m8×30	1
2-16	3220391522	Nut M8	1
2-17	3320461523	Powder metallurgy bearings	2
2-18	3320681522	Right swing arm welding	1
2-19	3220591522	Bolt M10x50	1
2-20	3410011522	Nylon cushion	2
2-21	3330071522	Powder metallurgy sleeve	1
2-22	3321121522	Square rod	1
2-23	3120031522	Knob bolt	1
2-24	3320991522	Compression spring	1
2-25	3330311522	Mounting plate	1
2-26	3220631522	Nut M10	2
2-27	3220621522	Bolt M10×45	1
2-28	3330341522	Right switch mounting plate	1
2-29	3630061522	Station switch	1
2-30	3220581523	Bolt assembly	6

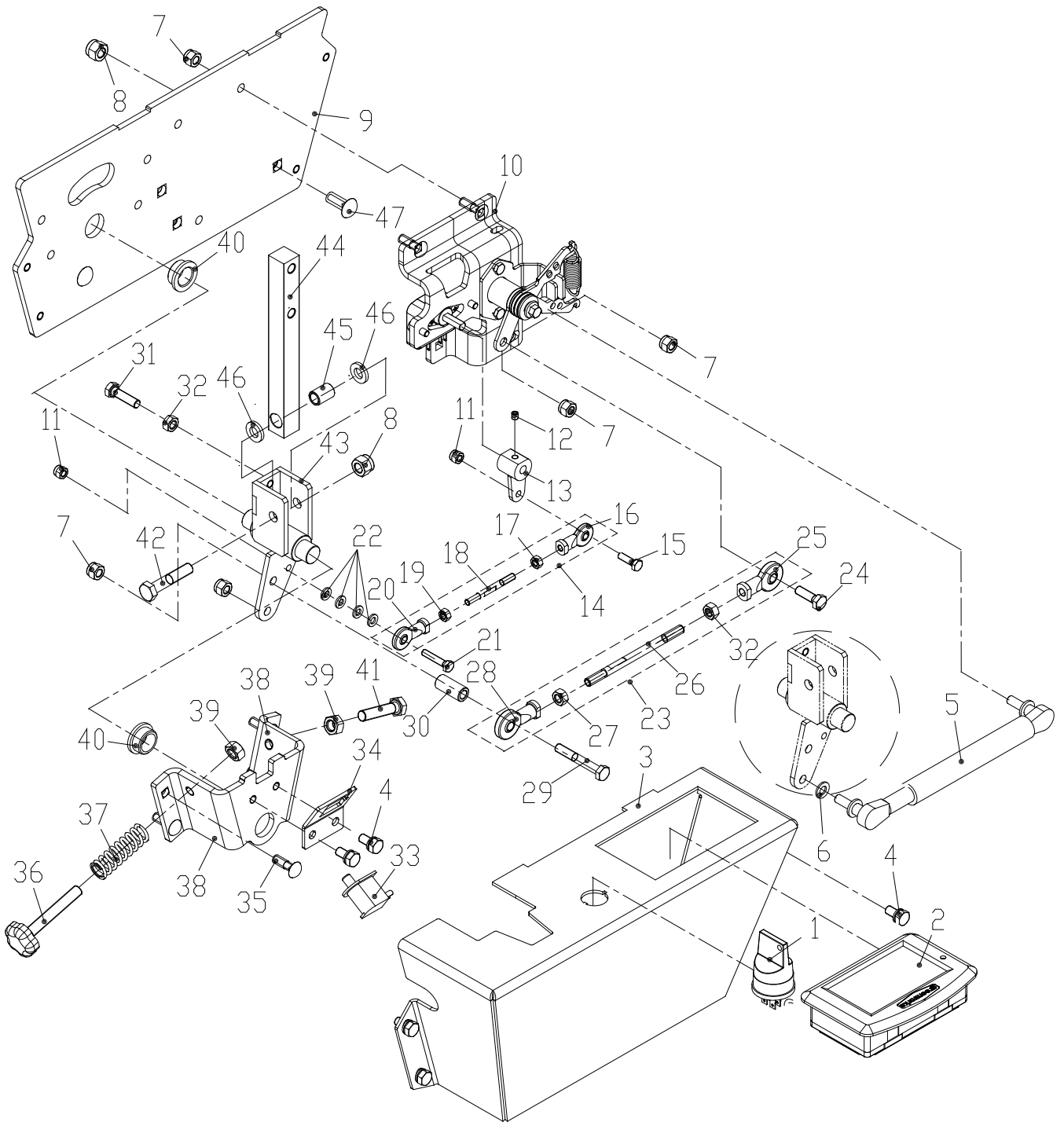
IETM NO.	PART NO.	DESCRIPTION	QTY
2-31	311431522	Joint bearing assembly	1
2-32	3220701523	Flat washer	4
2-33	3210031522	Joint bearing 6	1
2-34	3220011522	Nut M6	1
2-35	3321071522	Adjustment screw	1
2-36	3220021522	Nut M6	1
2-37	3210041522	Joint bearing 6 (reverse tooth)	1
2-38	3220071522	Bolt M6×20	1
2-39	3220681522	Bolt M6×30	1
2-40	3321081522	Spacer	1
2-41	311331522	Joint bearing assembly 8mm	1
2-42	3221021523	Joint bearing 8	1
2-43	3220391522	Nut m8	1
2-44	3321061522	Screw	1
2-45	3221011523	Nut m8	1
2-46	3221031523	Joint bearing 8	1
2-47	3220171522	Bolt m8×25	1
2-48	3220601522	Bolt m8x55	1
2-49	3220711523	Flat washer	1
2-50	3190021522	Damper	1

RIGHT RETURN ASSEMBLY



IETM NO.	PART NO.	DESCRIPTION	QTY
3-1	3220241523	Bolt m8 × 25	1
3-2	3220641523	Spring washer	1
3-3	3220661523	Large washer	2
3-4	3410211523	Spacer collar	2
3-5	3320691523	Rotating shaft	1
3-6	3330381523	Spring hanging plate	2
3-7	3320711523	Return spring	1
3-8	3410221523	Nylon washer	1
3-9	3220571523	Bolt assembly	2
3-10	3330321522	Right rotating plate	1
3-11	3330401522	Limit plate	1
3-12	3320651522	Right fixed plate welding	1
3-13	3221051523	Screws ST4.2×10	2
3-14	3330391523	Potentiometer connection plate	1
3-15	3630111522	Accelerator	1

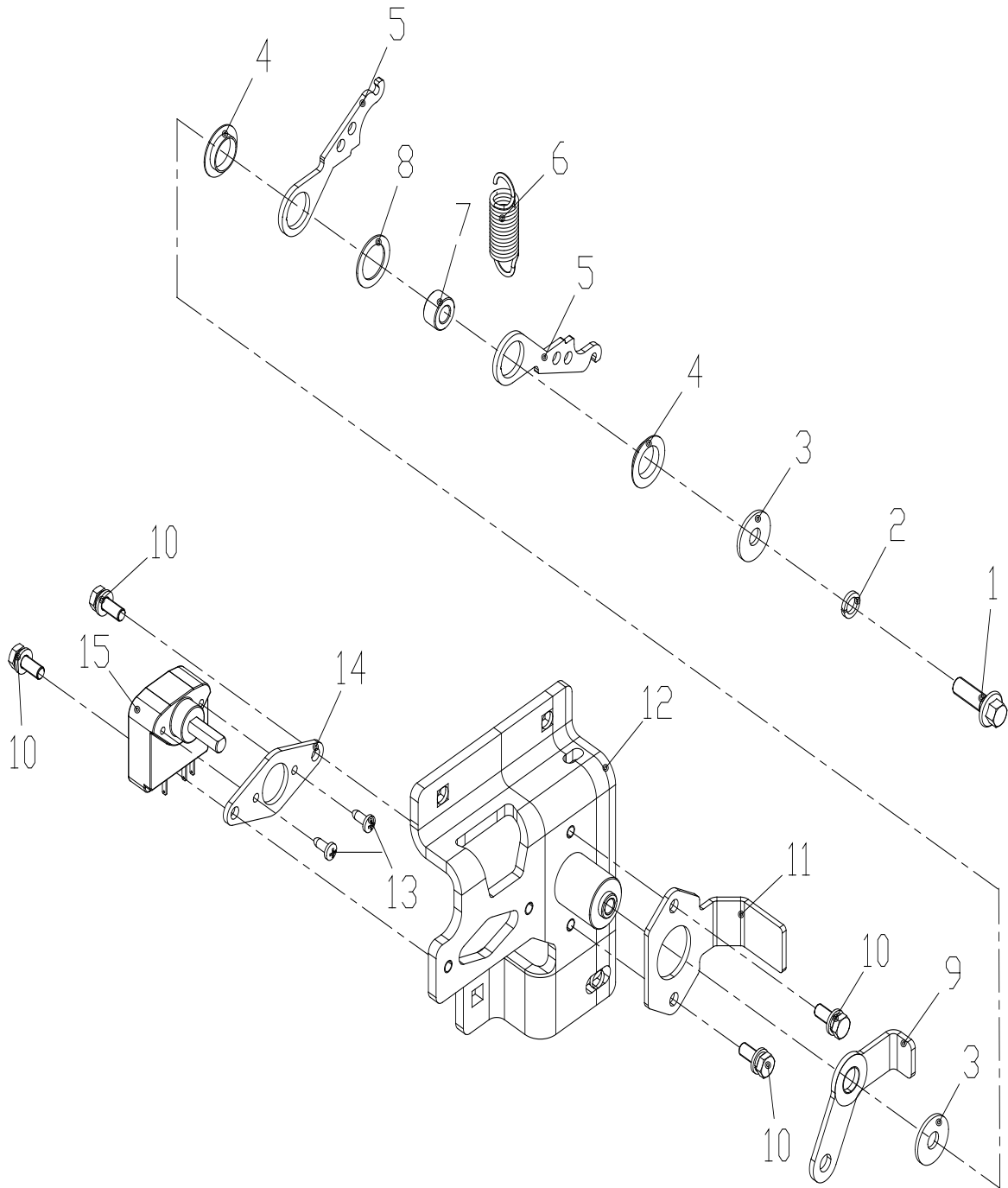
LEFT MANIPULATION ASSEMBLY



IETM NO.	PART NO.	DESCRIPTION	QTY
4-1	3631031522	Electric door lock	1
4-2	3690031522	Display	1
4-3	3330141522	Left protective cover	1
4-4	3220581523	Bolt assembly	6
4-5	3190021522	Damper	1
4-6	3220711523	Flat washer	1
4-7	3220391523	Lock nut m8	11
4-8	3220331523	Lock nut M10	4
4-9	3330171522	Fixed plate	1
4-10	311361522	Left return assembly	1
4-11	3220381523	Lock nut M6	2
4-12	3221041523	Screw M6x6	1
4-13	3320691522	Left swing arm welding	1
4-14	311431522	Joint bearing assembly	1
4-15	3220071522	Bolt M6×20	1
4-16	3210031522	Joint bearing 6	1
4-17	3220011522	Nut M6	1
4-18	3321071522	Adjustment screw	1
4-19	3220021522	Nut M6	1
4-20	3210041522	Joint bearing 6 (reverse tooth)	1
4-21	3220681522	Bolt M6×30	1
4-22	3220701523	Flat washer	4
4-23	311331522	Joint bearing assy	1
4-24	3220171522	Bolt m8×25	1
4-25	3221021523	Joint bearing 8	1
4-26	3321061522	Screw	1
4-27	3221011523	Nut m8	1
4-28	3221031523	Joint bearing 8	1
4-29	3220601522	Bolt m8x55	1
4-30	3321081522	Spacer	1

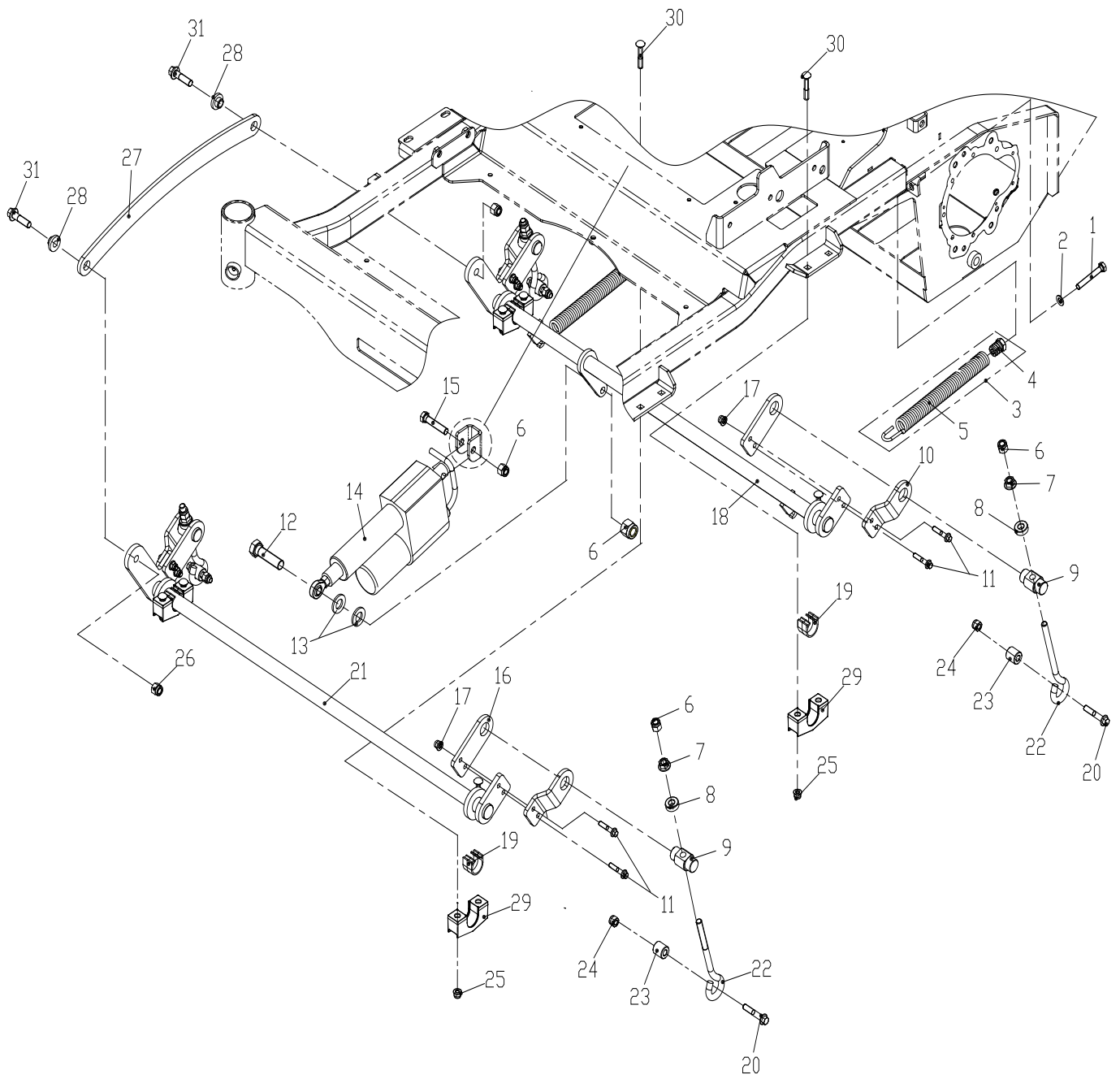
IETM NO.	PART NO.	DESCRIPTION	QTY
4-31	3220611522	Bolt m8×30	1
4-32	3220391522	Flat washer	2
4-33	3630061522	Station switch	1
4-34	3330351522	Left switch mounting plate	1
4-35	3220511523	Bolt m8×25	7
4-36	3120031522	Knob bolt	1
4-37	3320991522	Compression spring	1
4-38	3330311522	Mounting plate	1
4-39	3220631522	Nut M10	2
4-40	3320461523	Powder metallurgy bearings	2
4-41	3220621522	Bolt M10×45	1
4-42	3220591522	Bolt M10×50	1
4-43	3320671522	Shaft welding	1
4-44	3321121522	Square rod	1
4-45	3330071522	Powder metallurgy sleeve	1
4-46	3410011522	Nylon cushion	2
4-47	3220161522	Bolt M10×25	3

LEFT RETURN ASSEMBLY



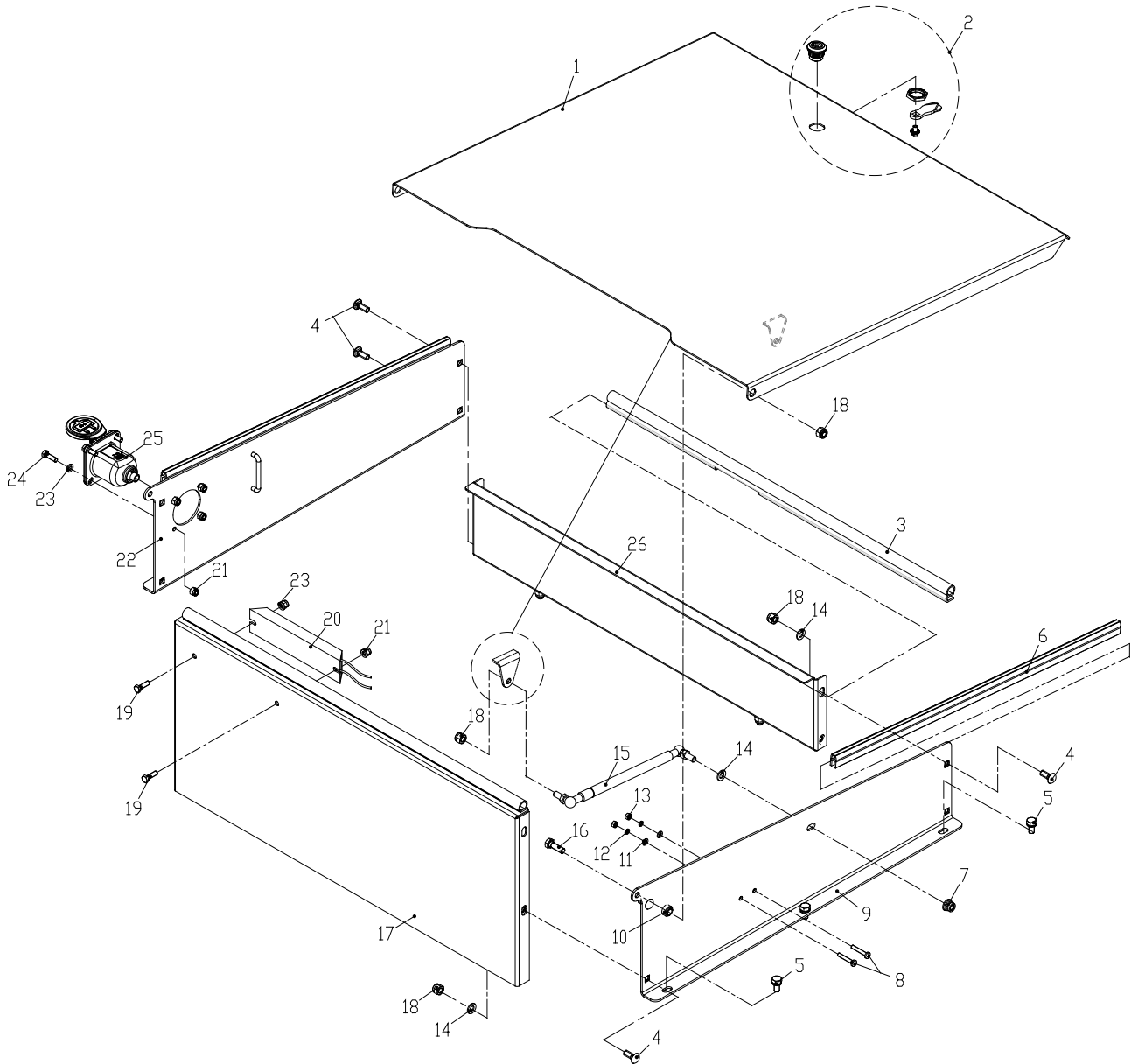
IETM NO.	PART NO.	DESCRIPTION	QTY
5-1	3220241523	Bolts m8x25	1
5-2	3220641523	Spring washer	1
5-3	3220661523	Large washer	2
5-4	3410211523	Spacer collar	2
5-5	3330381523	Spring hanging plate	2
5-6	3320711523	Return spring	1
5-7	3320691523	Rotating shaft	1
5-8	3410221523	Nylon washer	1
5-9	3330331522	Left rotating plate	1
5-10	3220571523	Bolt assembly	4
5-11	3330401522	Limit plate	1
5-12	3320661522	Left fixed plate welding	1
5-13	3221051523	Screws ST4.2×10	1
5-14	3330391523	Potentiometer connection plate	1
5-15	3630111522	Accelerator	1

HEIGHT ADJUSTMENT ASSEMBLY



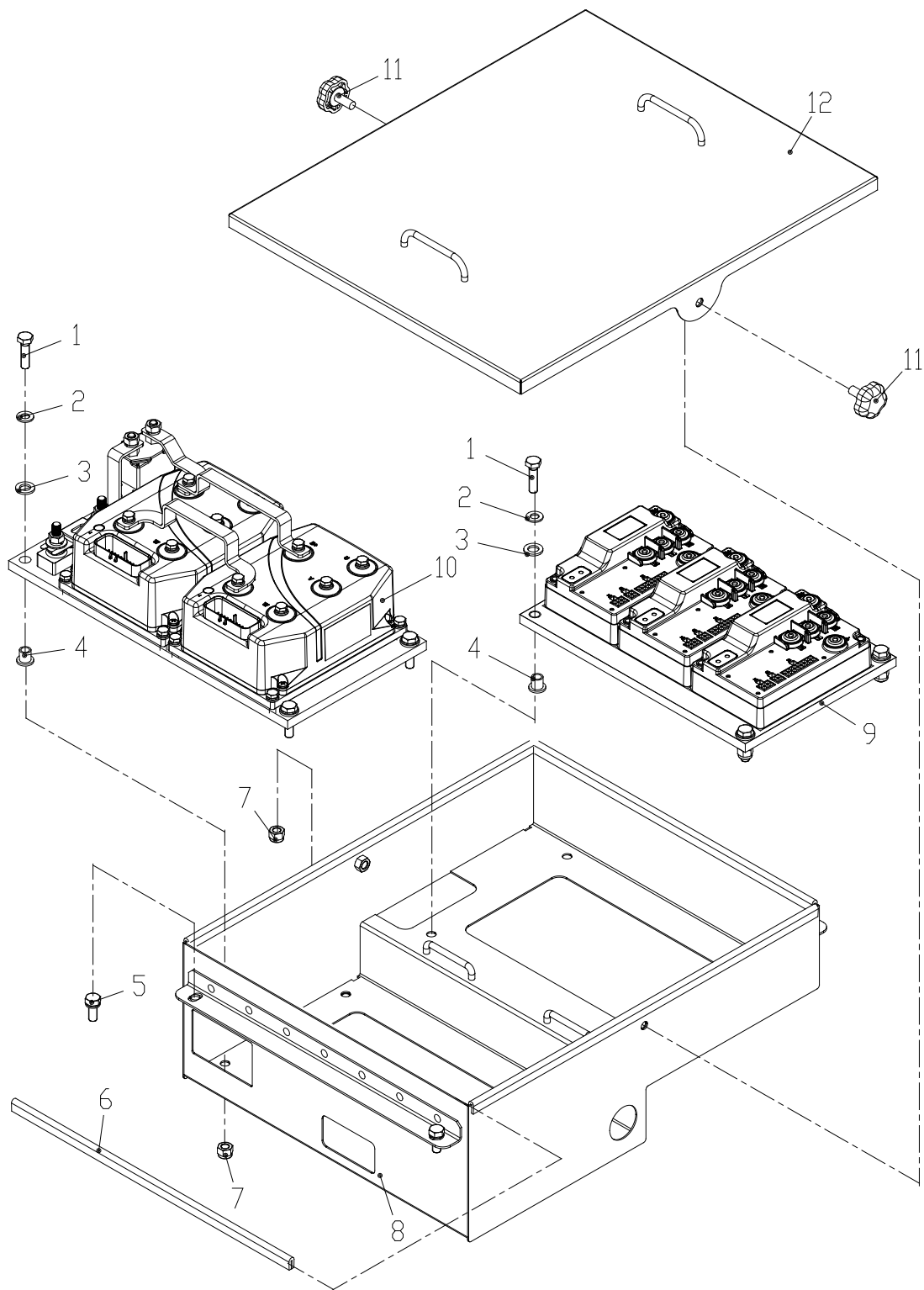
IETM NO.	PART NO.	DESCRIPTION	QTY
6-1	3220151522	Bolt M10x70	2
6-2	3220121522	Flat washer	2
6-3	311291522	Spring assembly	2
6-4	3320281522	Connecting bolt	1
6-5	3320291522	Spring	1
6-6	3220341523	Lock nut M12	6
6-7	3220951523	Nut M12	4
6-8	3321021522	Pad	4
6-9	3321011522	Pin	4
6-10	3330421522	Outer mounting plate	4
6-11	3220961523	Bolts m8x40	8
6-12	3220671522	Bolt M12x45	1
6-13	3220671523	Flat washer	2
6-14	3610011522	Linear actuator	1
6-15	3220091522	Bolt M12x60	1
6-16	3330411522	Inner mounting plate	4
6-17	3220051522	Lock nut m8	8
6-18	3320271522	Rear shaft welding	1
6-19	3410031523	Collar	4
6-20	3220131523	Bolts M10x55	2
6-21	3320481522	Front shaft welding	1
6-22	3321041522	tractor hitch	4
6-23	3321031522	Spacer	4
6-24	3220331523	Lock nut M10	4
6-25	3220401523	Lock nut	8
6-26	3220341523	Lock nut M12	7
6-27	3330161522	Connection plate	1
6-28	3320421522	Spacer	2
6-29	3320191523	Fixed seat	4
6-30	3220481523	Bolt	8
6-31	3220351522	Bolts M12 × 45	2

BATTERY COVER ASSEMBLY



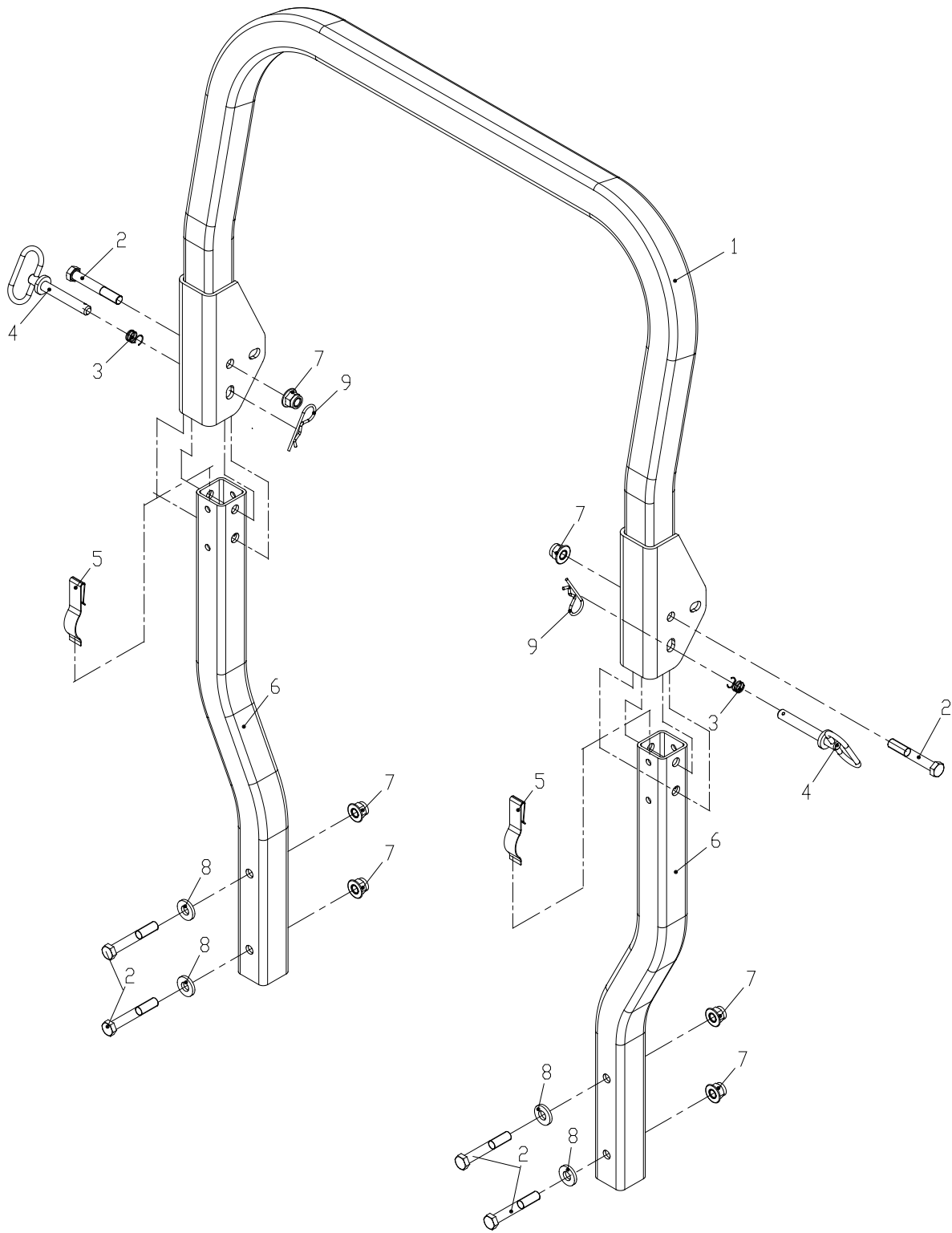
IETM NO.	PART NO.	DESCRIPTION	QTY
7-1	3320591522	Upper cover plate welding	1
7-2	3190021523	Rotary tongue lock	1
7-3	3420271523	Lateral anti-collision strip	1.4
7-4	3220501523	Bolt	10
7-5	3220581523	Bolt assembly	6
7-6	3420251523	Vertical anti-collision strip	1.2
7-7	3220051522	Lock nut m8	1
7-8	3220561523	Screw M5×30	2
7-9	3330261522	Left side plate	1
7-10	3320091522	Sleeve	2
7-11	3220691523	Flat washer	2
7-12	3220621523	Spring washer	2
7-13	3220281523	Nut M5	2
7-14	3220711523	Flat washer	11
7-15	3190031522	Gas spring	1
7-16	3220171522	Bolt m8x25	2
7-17	3330231522	Front plate	1
7-18	3220391523	Lock nut m8	13
7-19	3220071522	Bolt M6x20	2
7-20	3630091522	Power resistor	1
7-21	3220381523	Lock nut M6	6
7-22	3330271522	Right side plate	1
7-23	3220701523	Flat washer	6
7-24	3220701522	Screw	4
7-25	3690041522	Charger holder	1
7-26	3330291522	Rear cover	1

CONTROL SYSTEM COVER ASSEMBLY



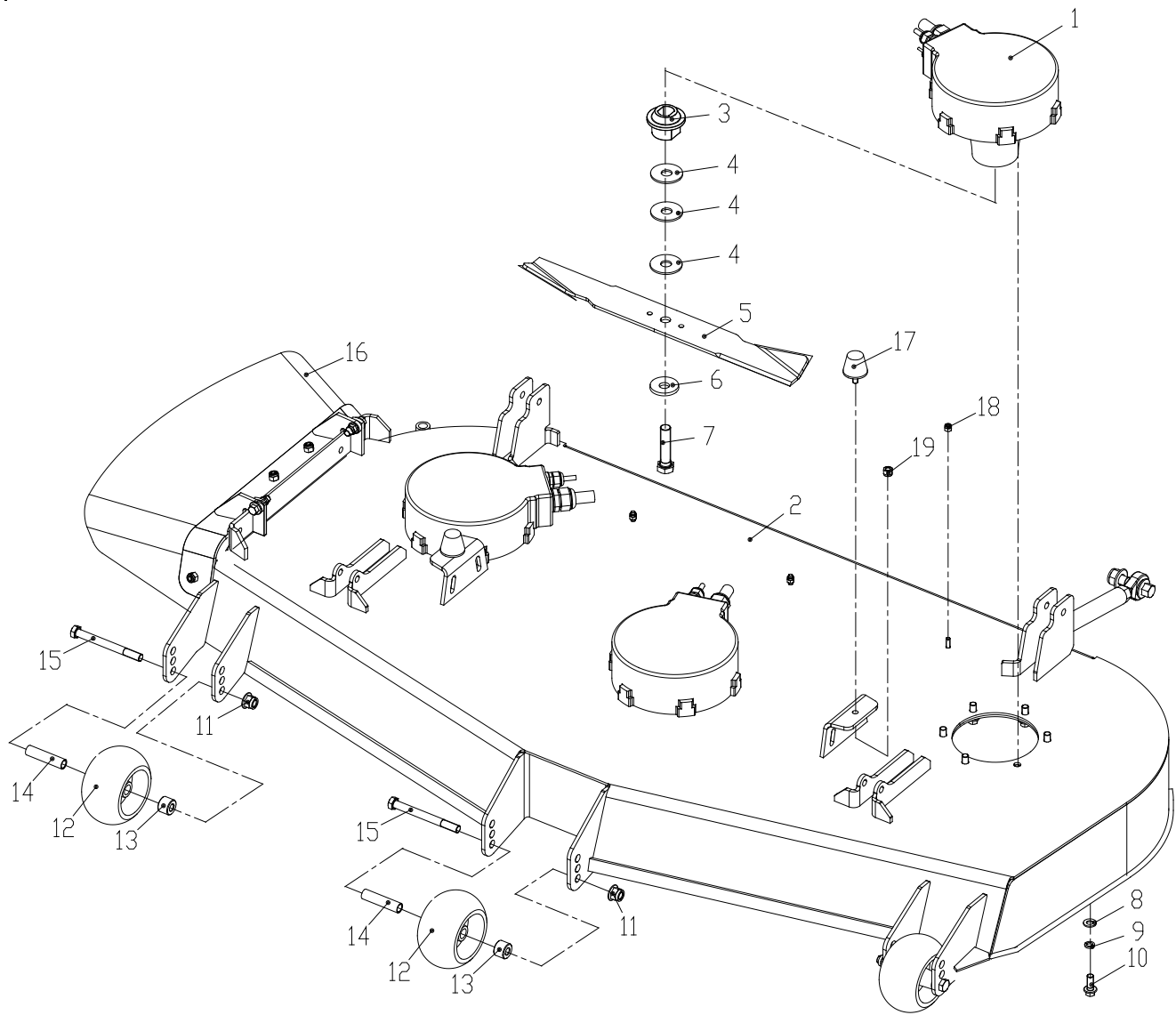
IETM NO.	PART NO.	DESCRIPTION	QTY
8-1	3220611522	Bolt m8×30	8
8-2	3220711523	Flat washer	8
8-3	3410071522	Washer	8
8-4	3410081522	Bushing	8
8-5	3220591523	Bolt assembly	8
8-6	3420261523	Thin bumper strip	1
8-7	3220391523	Lock nut m8	1
8-8	3320081522	Controller lower cover welding	4
8-9	3620951522	Cutter controller	1
8-10	3620021522	Drive controller	1.8 m
8-11	3120021523	Knob bolt	1
8-12	3320061522	Controller upper cover welding	2

ROLL OVER PROTECTIVE ASSEMBLY

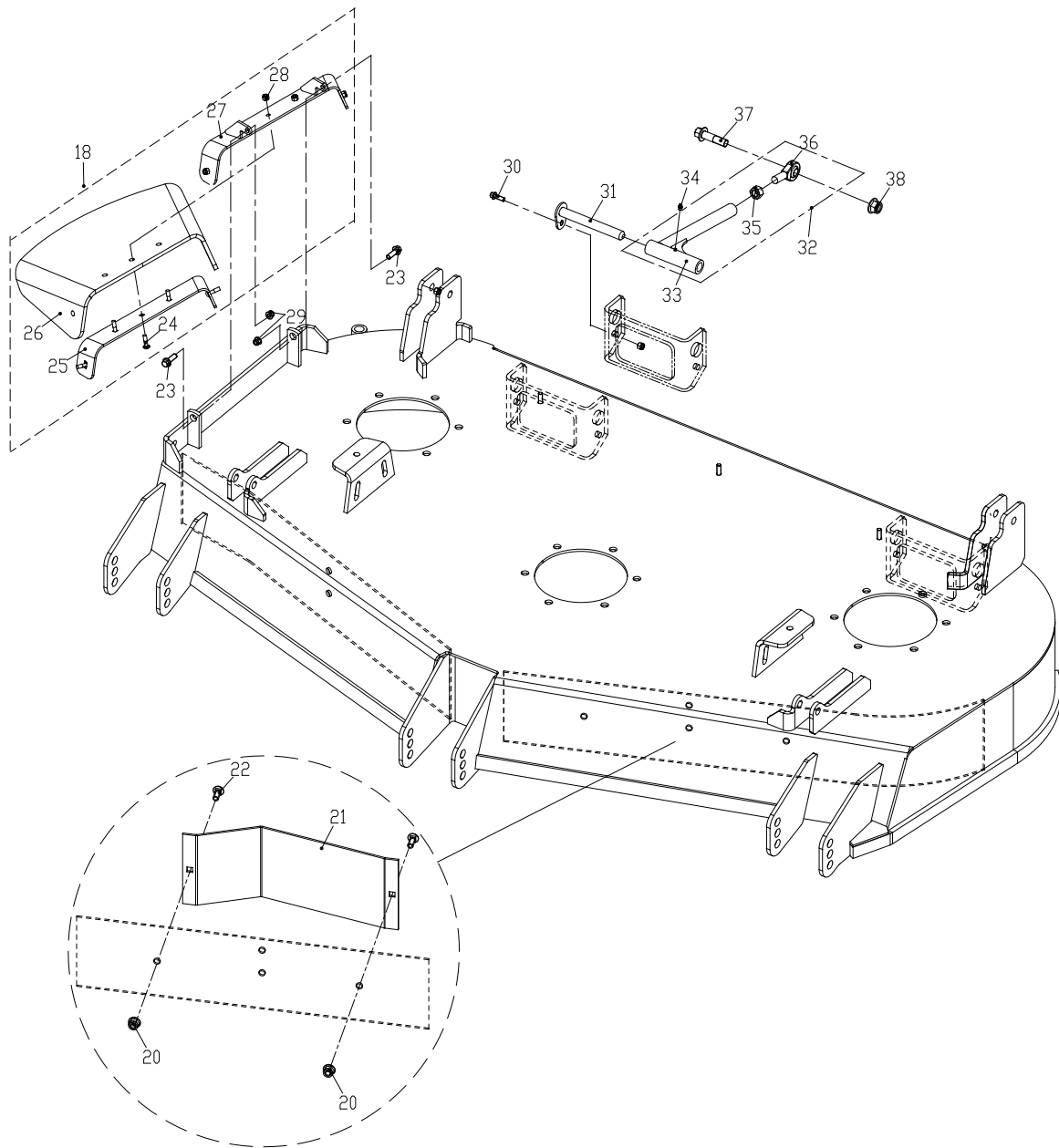


IETM NO.	PART NO.	DESCRIPTION	QTY
9-1	3320261522	Upper support rod welding	1
9-2	3220321522	Bolt M12x80	6
9-3	3321001522	Lock spring	2
9-4	3320301522	Larger pin	2
9-5	3330281522	Reed	2
9-6	3320241522	Lower pipe	2
9-7	3220291522	Lock nut M12	6
9-8	3330431522	Larger gasket	4
9-9	3321111522	Type r spring split pin	2

HEADER ASSEMBLY

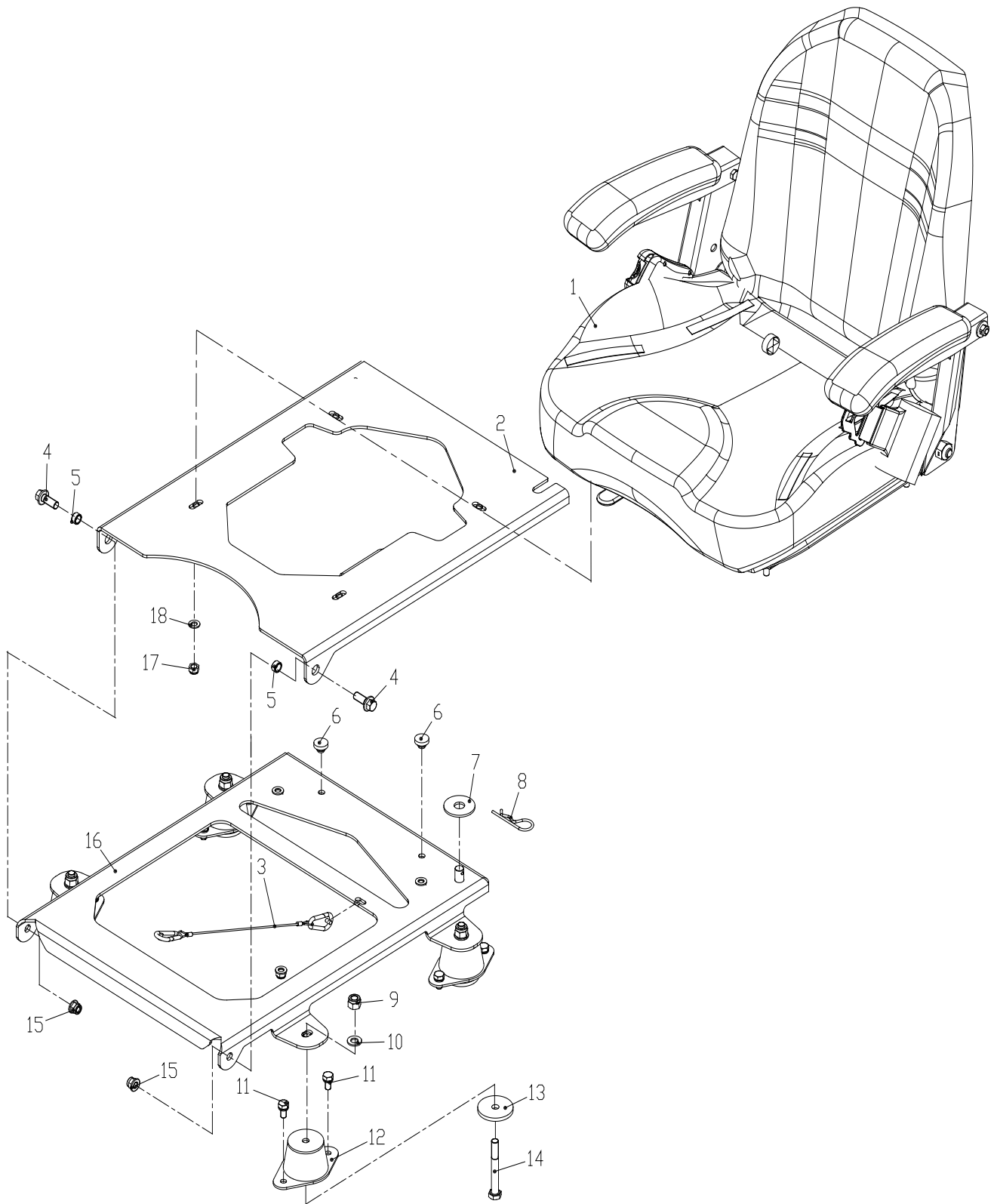


HEADER ASSEMBLY



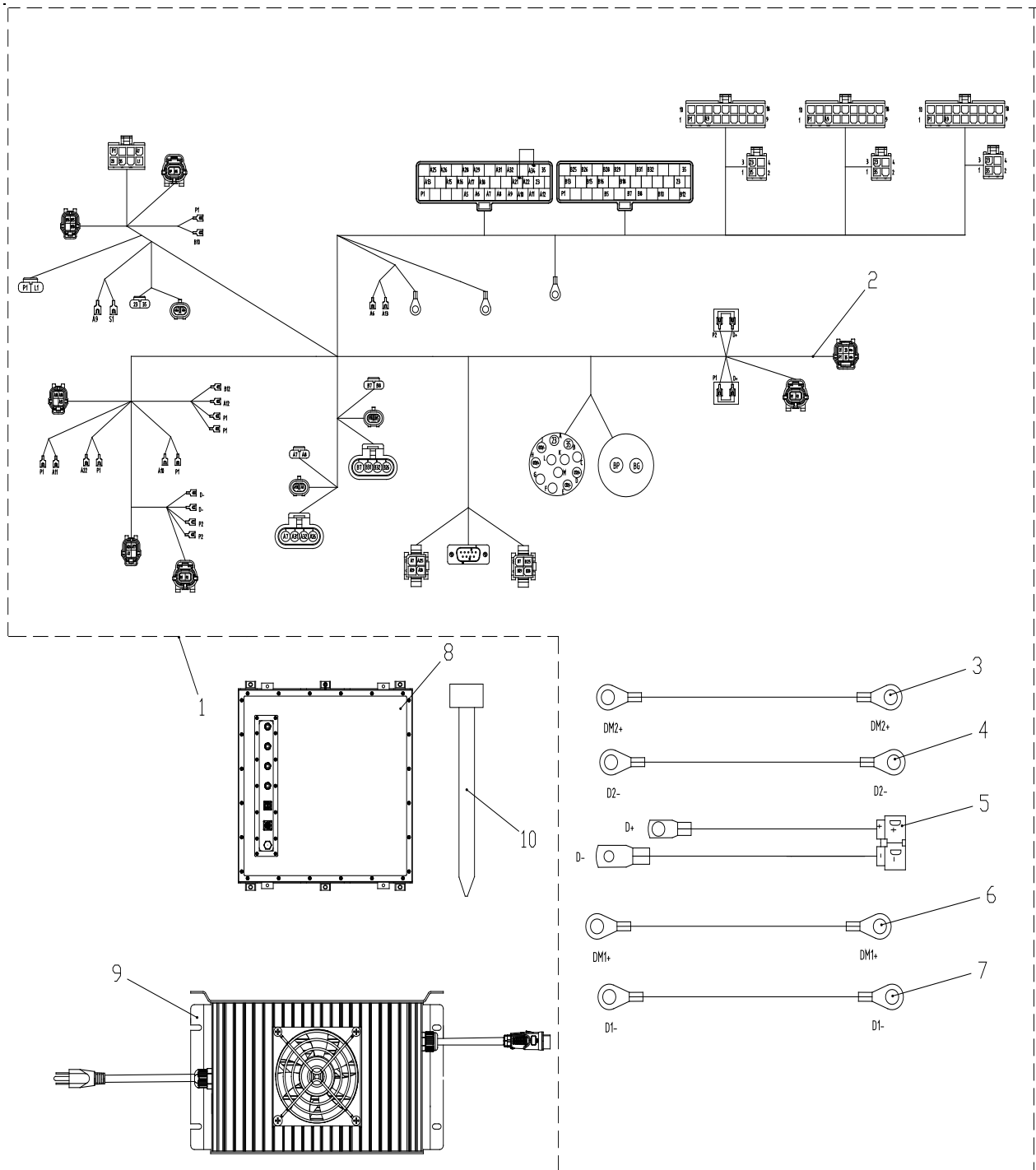
IETM NO.	PART NO.	DESCRIPTION	QTY
10-1	3610011523	Mowing motor	3
10-2	3320181522	Header welding	1
10-3	3320401523	Blade holder	3
10-4	3220651523	Large washer	9
10-5	3330221522	18" Blade	3
10-6	3330121523	Blade disc spring	3
10-7	3220941523	Bolt m16 × 70	3
10-8	3220121522	Flat washer	18
10-9	3220101522	Spring washer	18
10-10	3220111523	Bolt M10×25	18
10-11	3220291522	Lock nut M12	3
10-12	3410041523	Wheel	3
10-13	3320381523	Roller spacer	3
10-14	3320371523	Roller casing	3
10-15	3220281522	Bolt M12×120	3
10-16	311381522	Grass cover assembly	1
10-17	3420101523	Cushion	2
10-18	3220381523	Lock nut M6	3
10-19	3220391523	Lock nut M8	4
10-20	3220051522	Lock nut M8	2
10-21	3330081522	Air plate 1	1
10-22	3220501523	bolt	2
10-23	3220741523	bolts M10×30	2
10-24	3220521523	bolt M8×30	5
10-25	3330052337	Lower bracket	1
10-26	3420041522	Grass cover	1
10-27	3320032337	Upper bracket welding	1
10-28	3220391523	Lock nut M8	5
10-29	3220401523	Lock nut	2
10-30	3220241523	Bolts M8x25	2
10-31	3320251523	Header connection pin welding	2
10-32	311062337	Support rod	2
10-33	3320012337	Support rod	1
10-34	3290021523	Oil cup M6 (stainless steel)	1
10-35	3220911523	nut M16	1
10-36	3220901523	Joint bearing 16	1
10-37	3220161523	Bolts M16×60	1
10-38	3220441523	Lock nut M16	1

SEAT ASSEMBLY



IETM NO.	PART NO.	DESCRIPTION	QTY
11-1	3190061522	Suspension seat	1
11-2	3330211522	Active plate	1
11-3	3110041522	Digging line assembly	1
11-4	3220111523	bolt M10×25	2
11-5	3320201522	Sleeve	2
11-6	3420021522	Foot pad	2
11-7	3220551522	Large washer	1
11-8	3321111522	Type r spring split pin	1
11-9	3220331523	lock nut M10	4
11-10	3220121522	Flat washer	4
11-11	3220581523	Bolt assembly	8
11-12	3420051522	Seat cushion rubber block	4
11-13	3330201522	Large washer	4
11-14	3220311522	Bolt M10×80	4
11-15	3220401523	Lock nut	2
11-16	3330121522	Fixed plate	1
11-17	32217391	Nut 5/16-18	4
11-18	3220711523	Flat washer	4

ELECTRICAL COMPONENTS



IETM NO.	PART NO.	DESCRIPTION	QTY
12-1	311751522	Electrical cable assembly	
12-2	3690051522	Vehicle control harness assembly	1
12-3	3690061522	Knife controller cable +	2
12-4	3690071522	Knife controller cable -	2
12-5	3690081522	Machine power harness	1
12-6	3690091522	Walking cutter controller cable +	1
12-7	3690101522	Walking cutter controller cable -	1
12-8	2934802	Lithium iron battery pack	1
12-9	3690111522	Charger	1
12-10	34101427	Cable tie	50 pieces

GREENWORKS

COMMERCIAL

**Greenworks Tools
PO Box 1238
 Mooresville, NC 28115**

TOLL-FREE HELPLINE: 1-855-470-4267