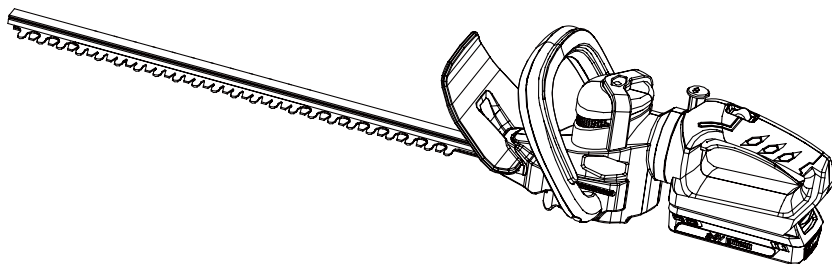



greenworks™

24V LITHIUM-ION CORDLESS HEDGE TRIMMER

22132




218549

Owner's Manual

TOLL-FREE HELPLINE: 1-888-90WORKS (888.909.6757)

www.GreenWorksTools.com

 Read all safety rules and instructions carefully before operating this tool.

CONTENTS

Contents 2
Specifications 2
Safety information..... 3-7
Symbols..... 8-9
Know your 24v cordless hedge trimmer 10
Assembly instruction..... 11-12
Operating instructions..... 13-14
Battery charger..... 15-16
Maintenance..... 17
Environmentally safe battery disposal..... 18
Troubleshooting..... 19
Warranty 20
Exploded View 21
Parts List..... 22

SPECIFICATIONS

24V LITHIUM-ION 22” CORDLESS HEDGE TRIMMER

Type..... Cordless, battery-operated
Blade length..... 22" (55.9 cm)
Cutting capacity..... 5/8"
Reciprocating speed..... 2400 SPM
Weight (without battery) 4.96 lbs



SAFETY INFORMATION

⚠ WARNING

READ AND UNDERSTAND ALL INSTRUCTIONS. Failure to follow all instructions listed below may result in electric shock, fire and/or serious personal injury.

WORK AREA

- Keep your work area clean and well lit.
- Do not use in wet conditions.
- Do not operate power tools in explosive atmospheres, such as in the presence of flammable liquids, gases, or dust. Power tools create sparks which may ignite the dust or fumes.
- Keep bystanders, children, and visitors away while operating a power tool. Distractions can cause you to lose control.

ELECTRICAL SAFETY

- A battery-operated tool with integral batteries or a separate battery pack must be recharged only with the specified charger for the battery. A charger that may be suitable for one type of battery may create a risk of fire when used with another battery.
- Use a battery-operated tool only with specified battery pack. Use of any other batteries may create a risk of fire.
- Use only Greenworks batteries.

PERSONAL SAFETY

- Stay alert, watch what you are doing, and use common sense when operating a power tool. Do not use tool while tired or under the influence of drugs, alcohol, or medication. A moment of inattention while operating power tools may result in serious personal injury.
- Dress properly. Do not wear loose clothing or jewellery. Contain long hair. Keep your hair, clothing, and gloves away from moving parts. Loose clothes, jewellery, or long hair can be caught in moving parts.
- Avoid accidental start-ups. Make sure the switch is in the locked or off position before inserting battery pack. Carrying tools with your finger on the switch or inserting the battery pack into a tool with the switch on invites accidents.
- Remove adjusting keys or wrenches before turning the tool on. A wrench or key that is left attached to a rotating part of the tool may result in personal injury.
- Do not overreach. Keep proper footing and balance at all times. Proper footing and balance enable better control of the tool in unexpected situations.



ALWAYS WEAR EYE PROTECTION. A Hedge Trimmer can throw foreign objects into your eyes which could cause permanent eye damage. **ALWAYS** wear safety goggles (not glasses). Ordinary eyeglasses have only impact-resistant lenses...they are **NOT** safety goggles.

TOOL USE AND CARE

- Do not use tool if switch does not turn it on or off. A tool that can not be controlled with the switch is dangerous and must be repaired.

SAFETY INFORMATION

- Disconnect battery pack from tool or place the switch in the locked or off position before making any adjustments, changing accessories, or storing the tool. Such preventive safety measures reduce the risk of starting the tool accidentally.
- Store idle tools out of reach of children and other untrained persons. Tools are dangerous in the hands of untrained users.
- When battery pack is not in use, keep it away from other metal objects like: paper clips, coins, keys, nails, screws, or other small metal objects that can make a connection from one terminal to another. Shorting the battery terminals together may cause sparks, burns, or a fire.
- Check for misalignment or binding of moving parts, breakage of parts, and any other condition that may affect the tool's operation. If damaged, have the tool serviced before using. Many accidents are caused by poorly maintained tools.
- Use only accessories that are recommended by the manufacturer for your tool. Accessories that may be suitable for one tool may create a risk of injury when used on another tool.

SERVICE

- Tool service must be performed only by qualified repair personnel. Service or maintenance performed by unqualified personnel may result in a risk of injury.
- When servicing a tool, use only identical replacement parts. Follow instructions in the Maintenance section of this manual. Use of unauthorized parts or failure to follow Maintenance Instructions may create a risk of shock or injury.

FOR ALL GARDEN TOOLS

- Avoid dangerous environments. Don't use tool in damp or wet locations.
- Don't use in rain.
- Keep bystanders and children away while operating.
- Dress properly. Do not wear loose clothing or jewellery. They can be caught in moving parts. Use of rubber gloves and substantial footwear is recommended when working outdoors.
- Avoid unintentional start-ups.
- Don't grasp the exposed cutting line when picking up or holding the tool.
- Don't force the tool. It will do the job better and with less likelihood of a risk of injury at the rate for which it was designed.
- Don't overreach. Keep proper footing and balance at all times.
- When not in use, tool should be stored indoors in a dry, high, or locked-up place – out of reach of children.
- Maintain tool with care. Keep cutting line clean for best performance and to reduce the risk of injury.
- Keep guards in place and in working order.
- Keep hands and feet away from cutting line.
- Always use eye protection.

SAFETY INFORMATION

FOR HEDGE TRIMMERS

D A N G E R

If the hedge trimmer blade jams or gets caught on an electrical cord or wires, **DO NOT TOUCH THE BLADE FOR ANY REASON!** IT CAN BE ELECTRICALLY LIVE AND CAUSE SERIOUS OR FATAL INJURY! Release or drop the trimmer in the quickest, safest way. If possible, disconnect the damaged electrical cord or line from its power source. If that is not possible, call an electrician, electrical contractor, or the power company for assistance. Failure to heed this danger warning will cause serious personal injury and possible death.

W A R N I N G

Avoid serious injury: The blades coast after turning off. **ALWAYS** keep both hands on the hedge trimmer handles to prevent your hand from touching the blade.

- Make sure the hedge trimmer switch is off when clearing jammed material from blades. To avoid possible accidental start-ups, remove or disconnect the battery before servicing, cleaning, or removing material from the hedge trimmer.
 - **DO NOT** operate the hedge trimmer when you are tired or your visibility is limited. Do not use the trimmer at night or in reduced light.
 - Keep the handles dry, clean, and free from oil and grease.
 - **DO NOT** use the hedge trimmer if the handle guard is damaged.
-

D A N G E R

To avoid serious injury, risk of fire, explosion and danger of electric shock or electrocution:

- **DO NOT** probe the charger with conductive materials. The charging terminals hold 120 V.
 - If the battery pack case is cracked or damaged, **DO NOT** insert into the charger. Replace the battery pack.
 - **DO NOT** charge these battery packs with any other type of charger.
 - **DO NOT** allow liquid inside the charger.
 - **DO NOT** try to use the charger for any other purpose than what is presented in this manual.
-

SAFETY INFORMATION

W A R N I N G

If the battery fluid gets in your eyes, flush immediately with clean water for at least 15 minutes. Get immediate medical attention. Do not charge the battery pack in rain or in wet conditions. Do not immerse the tool, battery pack, or charger in water or other liquid.

- Do not allow the battery pack or charger to overheat. If they are warm, allow them to cool down. Recharge only at room temperature.
 - Do not cover the ventilation slots on the top of the charger. Do not set the charger on a soft surface. Keep the ventilation slots of the charger clear.
 - Do not allow small metal items or material such as steel wool, aluminum foil, or other foreign particles into the charger cavity.
 - Unplug the charger before cleaning and when there is no battery pack in the cavity.
 - Do not place the battery charger or the battery pack in the sun or in a warm environment. Keep at normal room temperature.
 - Do not try to connect two chargers together.
 - The battery pack cells may develop a small leak under extreme usage or temperature conditions. If the outer seal is broken and the leakage gets on your skin:
 - Use soap and water to wash immediately.
 - Neutralize with lemon juice, vinegar, or other mild acid.
-

W A R N I N G (PROPOSITION 65)

Some dust created by power sanding, sawing, grinding, drilling, and other construction activities contains chemicals known to cause cancer, birth defects or other reproductive harm. Some examples of these chemicals are:

- Lead from lead-based paints
- Crystalline silica from bricks and cement and other masonry products, and
- Arsenic and chromium from chemically treated lumber.

Your risk of exposure to these chemicals varies depending on how often you do this type of work. To reduce your exposure to these chemicals, work in a well-ventilated area, and work with approved safety equipment, such as dust masks that are specially designed to filter out microscopic particles.

SAFETY INFORMATION


⚠ WARNING

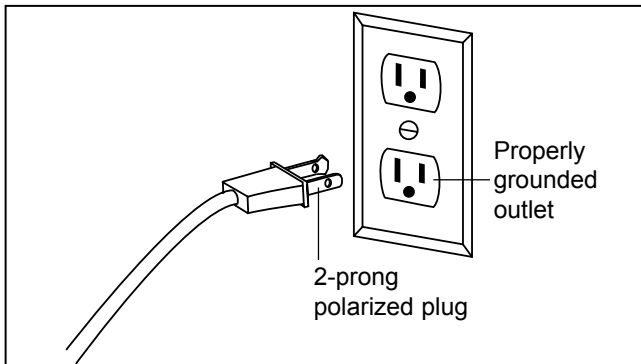
READ AND UNDERSTAND ALL INSTRUCTIONS. Failure to follow safety rules listed below may result in electric shock, fire, and/or personal injury:

- Do not abuse the cord. Never use the cord to carry the tool. Never pull on the cord to remove the plug from the power outlet. Keep cords away from heat, oil, sharp edges, or moving parts. Replace damaged cords immediately. They may create a fire. Do not use if damaged.
- Do not place the charger where the power cord might be stepped on, tripped on, or subjected to damage.
- A battery-operated tool with integral batteries or a separate battery pack must be recharged only with the specified charger for the battery. A charger that may be suitable for one type of battery may create a risk of fire when used with another battery.
- Use a battery-operated tool only with the specifically designated battery pack. Use of any other batteries may create a risk of fire.

GROUNDING








In the event of a malfunction or breakdown, grounding provides the path of least resistance for electric current, and reduces the risk of electric shock.

This battery charger is double insulated  and has a two-prong polarized plug (one blade is wider than the other). This plug will fit into a polarized outlet only one way. If the plug does not fit fully in the outlet, reverse the plug. If it still does not fit, contact a qualified electrician to install the proper outlet. **DO NOT** change the plug in any way. **IN ALL** cases make sure the outlet is properly grounded. If you are not sure, have a certified electrician check the power outlet.






SYMBOLS

Some of the following symbols may be used on this product. Please study them and learn their meaning. Proper interpretation of these symbols will allow you to operate the product better and safer.

SYMBOL	NAME	DESIGNATION/EXPLANATION
V	Volts	Voltage
A	Amperes	Current
Hz	Hertz	Frequency (cycles per second)
W	Watt	Power
min	Minutes	Time
~	Alternating Current	Type of current
—	Direct Current	Type or a characteristic of current
	Wet Conditions Alert	Do not expose to rain or use in damp locations
	Read The Operator's Manual	To reduce the risk of injury user must read and understand operator's manual before using this product.
	Safety Alert	Precautions that involve your safety.
	Keep Bystanders Away	Keep all bystanders at least 50 ft. away.
	Eye Protection	Always wear safety goggles or safety glasses with side shields and, as necessary, a full face shield when operating this product.
	Ricochet	Thrown objects can ricochet and result in personal injury or property damage.
	Sharp Blade	Do not install or use any type of blade on a product displaying this symbol.

SYMBOLS

The following signal words and meanings are intended to explain the levels of risk associated with this product.

SYMBOL	SIGNAL	MEANING
	DANGER	Indicates an imminently hazardous situation, which, if not avoided, will result in death or serious injury.
	WARNING	Indicates a potentially hazardous situation, which, if not avoided, could result in death or serious injury.
	CAUTION	Indicates a potentially hazardous situation, which, if not avoided, may result in minor or moderate injury.
	CAUTION	(Without Safety Alert Symbol) Indicates a situation that may result in property damage.

SAVE THESE INSTRUCTIONS

KNOW YOUR 24V CORDLESS HEDGE TRIMMER

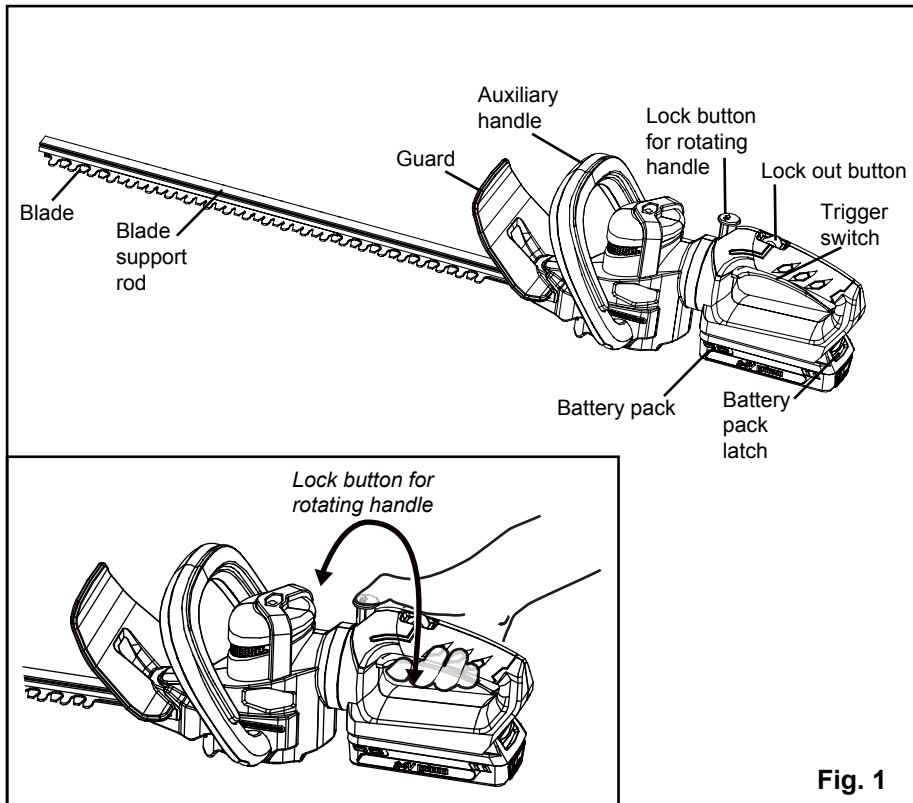


Fig. 1

KNOW YOUR HEDGE TRIMMER (See Figure 1.)

The safe use of this product requires an understanding of the information on the product and in this operator's manual as well as a knowledge of the project you are attempting. Before use of this product, familiarize yourself with all operating features and safety rules.

GUARD

The guard helps to deflect chips or other debris away from the operator's hands and eyes.

TRIGGER SWITCH

The switch trigger, located beneath the rear handle, and the lock-off button, located behind the auxiliary handle, must be depressed simultaneously to allow blade rotation.

ASSEMBLY INSTRUCTION

BATTERY

IMPORTANT! The battery pack is not charged when it is purchased. Before using the hedger for the first time, place the battery pack in the battery charger and charge. Make sure to read all safety precautions, and follow the instructions in the Battery Charger section.

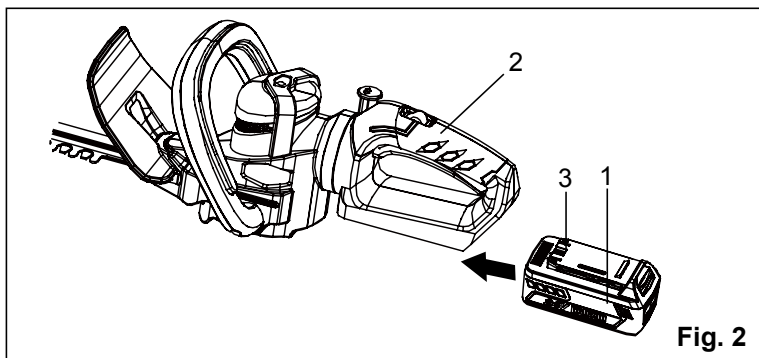
To remove the battery (See Figure 2.):

1. Slide the latch button on the battery pack down (1) and hold.
2. Grasp the trigger handle (2) firmly. Pull the battery pack out of the handle.

NOTE: The battery pack fits snugly into the handle to prevent accidental dislodging. It may require a strong pull to remove.

To install the battery (See Figure 2.):

1. Align the tongue (3) of the battery pack with the cavity in the handle housing.
2. Grasp the trigger handle (2) firmly.
3. Push the battery pack into the handle until the latch locks into place.



IMPORTANT! DO NOT remove the blade assembly unless it needs sharpening, straightening, or replacing. Take it to a qualified person for repair.

⚠ WARNING

Follow these instructions in order to avoid injury and to reduce the risk of electric shock or fire:

- Replace the battery pack or the charger immediately if the battery case or charger cord is damaged.
- Verify that the switch is in the OFF position before inserting or removing the battery pack.
- Verify that the battery pack is removed and the switch is in the OFF position before inspecting, adjusting, or performing maintenance on any part of the hedger.
- Read, understand, and follow the instructions contained in the section entitled Charging Procedure.

ASSEMBLY INSTRUCTION

UNPACKING

- This product requires no assembly.
- Carefully remove the product and any accessories from the box. Make sure that all items listed in the packing list are included.
- Inspect the product carefully to make sure no breakage or damage occurred during shipping.
- Do not discard the packing material until you have carefully inspected and satisfactorily operated the product.
- If any parts are damaged or missing, please call **1-888- 909-6757** for assistance.

PACKING LIST

- Cordless hedge trimmer
- Operator's manual
- Battery
- Charger

W A R N I N G

To avoid personal injury:

- Handle the blade with care.
 - Do not place your fingers or hand between the notches in the blade or in any position where they could get pinched or cut.
 - Never service the blade or hedge trimmer unless the battery pack is removed.
 - Do not use if the blade assembly is damaged or bent. Take to a qualified person to straighten, replace, or sharpen.
 - Always keep both hands on the hedge trimmer handles to prevent your hand from touching the blade.
-

OPERATING INSTRUCTIONS

ON/OFF SWITCHES *(See Figure 3.)*

The hedge trimmer has one switch controls and a lock-OFF button used together to prevent accidental start-ups or injury.

1. Place one hand on the trigger handle (1). Place the other hand on the Auxiliary handle.
2. Slide the lock-OFF button (2) toward the rear of the handle and hold.
3. Squeeze the trigger switch (3). The hedge trimmer will turn ON.
4. Release the lock-OFF button. The hedge trimmer will stay on as long as the trigger handle the trigger switch are squeezed ON.
5. The hedge trimmer will stop if you release either the trigger handle.

IMPORTANT: If the hedge trimmer is accidentally dropped, the hedge trimmer will turn OFF and the blade will coast to a stop after several seconds. The hedge trimmer will then be locked OFF again.

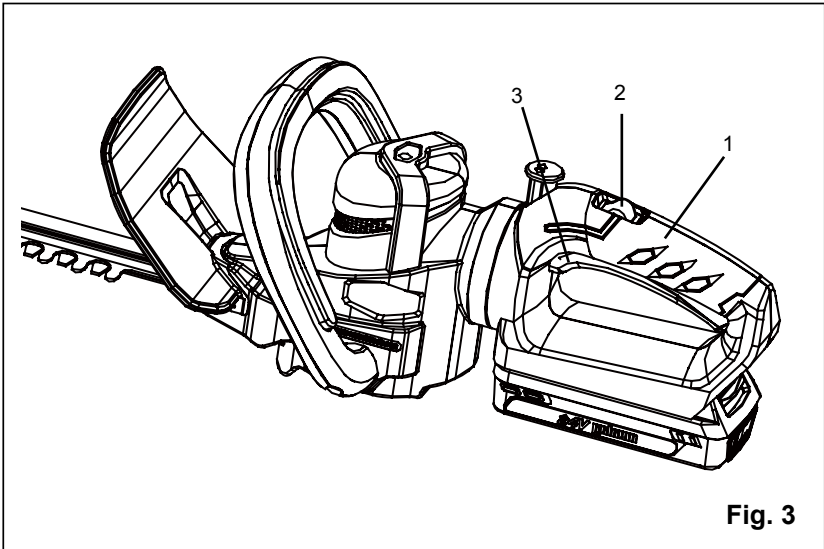
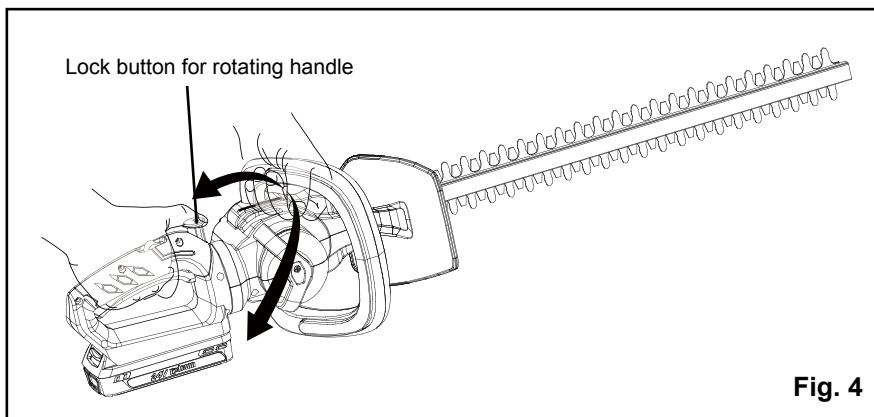


Fig. 3

OPERATION

USING THE ROTATING REAR HANDLE (See Figure 4.)

1. Place the hedge trimmer on a flat and even surface.
2. Make sure that you released the trigger.
3. Press the lock button and begin turning the rear handle. Release the lock button and turn the handle 90 degrees to either side until it clicks into place and the button pops out.
4. To turn the handle back to center, press the lock button again, turn the handle slightly, release the lock button and continue turning the handle until it locks into place.



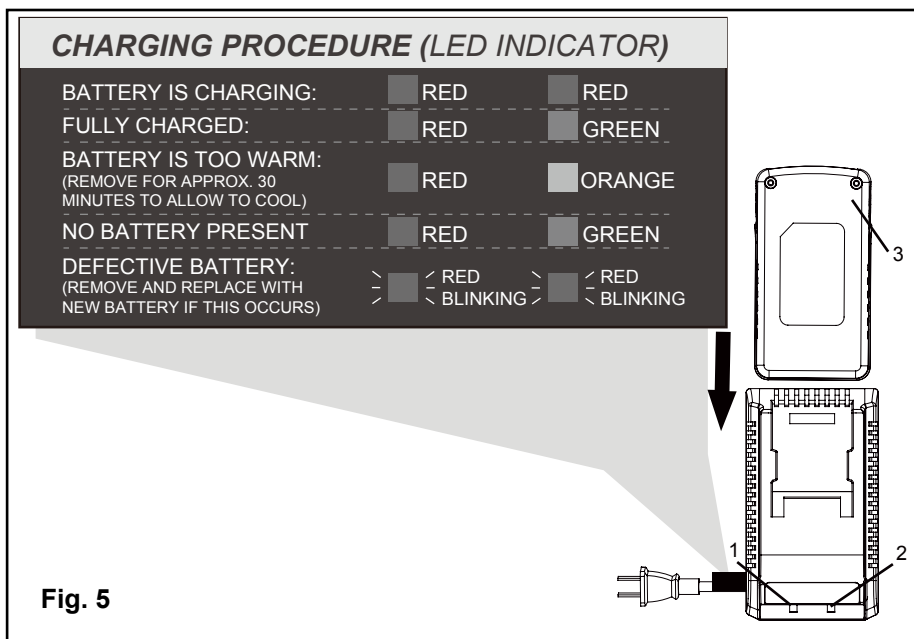
BATTERY CHARGER

CHARGING PROCEDURE (See Figure 5.)

NOTE: The battery is not shipped fully charged. It is recommended to fully charge before first use to ensure that maximum run time can be achieved. This lithium-ion battery will not develop a memory and may be charged at any time. A fully discharged battery pack will require approximately 100 minutes to fully charge from a discharged state.

1. Plug the charger into an AC power outlet.
2. Insert the battery pack (3) into the charger.

This is a diagnostic charger. The Charger LED Lights will illuminate in specific order to communicate the current battery status. They are as follows:



CHECKING THE CHARGE

If the battery pack does not charge properly:

- Check the current at the power outlet with another tool. Make sure that the outlet is not turned off.
- Check that the charger contacts have not been shorted by debris or foreign material.
- If the surrounding air temperature is not normal room temperature, move the charger and battery pack to a location where the temperature is between 45°F and 104°F .

BATTERY CHARGER

⚠ WARNING

If the battery is inserted into the charger when warm or hot, the CHARGING LED indicator light on the charger may switch on and illuminate ORANGE. If this occurs allow the battery to cool outside of the charger from approximately 30 minutes.

CHARGER MAINTENANCE

- Keep the charger clean and clear of debris. Do not allow foreign material into the recessed cavity or on the contacts. Wipe with a dry cloth. Do not use solvents, water, or place in wet conditions.
- Always unplug the charger when there is no battery pack in it.
- The battery pack may be stored in the charger. however, it is recommended to disconnect the charger from the power source. To ensure safety and reliability all repairs should be performed by a qualified service technician.
- Check that the charger contacts have not been shorted by debris or foreign material.

CHARGER MOUNTING (See Figure 6.)

1. This charger can be installed hanging on a wall using two screws (not supplied)
2. Locate the placement for the charger to be wall mounted.
3. If fastening to wood studs use 2 wood screws.
4. Drill two holes 2 3/8" (6 cm) on center ensuring they are level.
5. If fastening to drywall use wall anchors and screws to secure the charger to the wall.

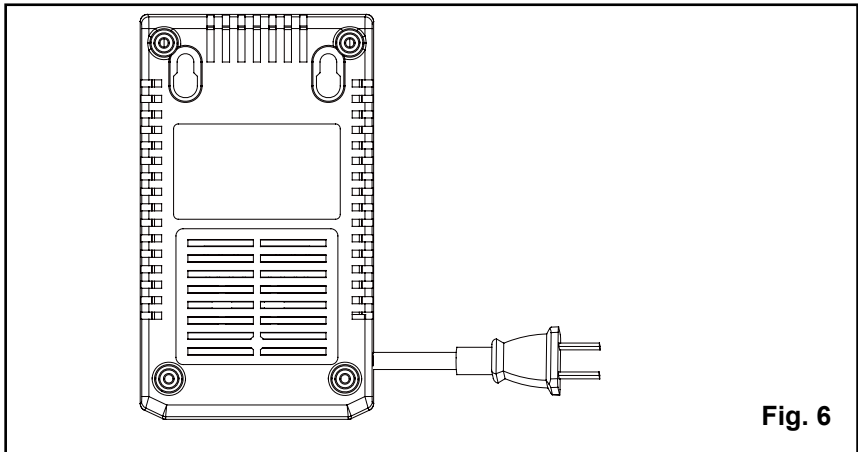


Fig. 6

MAINTENANCE

WARNING

To avoid risk of fire, electric shock, or electrocution:

- Do not use a damp cloth or detergent on the battery or battery charger.
 - Always remove the battery pack before cleaning, inspecting, or performing any maintenance on the hedge trimmer.
-

Cleaning

1. Wipe the outside of the hedge trimmer with a dry, soft cloth. Do not hose down or wash with water.
2. Scrape the guard to remove dried clippings and mud.
3. Brush or blow dust, debris, and grass clippings out of the air vents. Keep them free of obstruction.

Battery Pack

- Store the battery pack fully charged.
- Once the charging light turns green, remove the battery from the charger and disconnect the charger from the outlet.
- Do not store the battery pack on the tool or in the charger.
- After charging, the battery pack may be stored in the charger, as long as the charger is not plugged in.

Charger Maintenance

- Keep the charger clean and clear of debris. Do not allow foreign material to get into the recessed cavity or onto the contacts. Wipe the charger clean with a dry cloth. Do not use solvents or water, and do not place the charger in wet conditions.
- Unplug the charger when there is no battery pack in it.
- Fully charge the batteries before placing them in storage.
- Store the charger at normal room temperature. Do not store it in excessive heat. Do not use the charger in direct sunlight. Recharge at room temperature between 45°F and 104°F (7°C and 40°C). If the battery pack is hot, allow it to cool down before recharging.

ENVIRONMENTALLY SAFE BATTERY DISPOSAL



The following toxic and corrosive materials are in the batteries used in this hedge trimmer battery pack: **Lithium-Ion, a toxic material.**

W A R N I N G

All toxic materials must be disposed of in a specified manner to prevent contamination of the environment. Before disposing of damaged or worn out Lithium-Ion battery packs, contact your local waste disposal agency, or the local Environmental Protection Agency for information and specific instructions. Take the batteries to a local recycling and/or disposal centre, certified for lithium disposal.

W A R N I N G

If the battery pack cracks or breaks, with or without leaks, do not recharge it and do not use. Dispose of it and replace with a new battery pack. **DO NOT ATTEMPT TO REPAIR IT!** To avoid injury and risk of fire, explosion, or electric shock, and to avoid damage to the environment:

- Cover the battery's terminals with heavy-duty adhesive tape.
 - DO NOT attempt to remove or destroy any of the battery pack components.
 - DO NOT attempt to open the battery pack.
 - If a leak develops, the released electrolytes are corrosive and toxic. DO NOT get the solution in the eyes or on skin, and do not swallow it.
 - DO NOT place these batteries in your regular household trash.
 - DO NOT incinerate.
 - DO NOT place them where they will become part of any waste landfill or municipal solid waste stream.
 - Take them to a certified recycling or disposal centre.
-

TROUBLESHOOTING

PROBLEM	POSSIBLE CAUSE	SOLUTION
Motor fails to start when switch trigger is depressed.	Battery is not secure.	To secure the battery pack, make sure the latches on the top of the battery pack snap into place.
	Battery is not charged.	Charge the battery pack according to the instructions included with your model.
Motor runs, but cutting blades do not move.	Hedger damaged. Do not use hedge trimmer.	Call for technical service.
Hedge trimmer smokes during operation.	Hedger damaged. Do not use hedge trimmer.	Call for technical service.
Motor hums, blades do not move.	Debris or other may be jamming the blades	Remove battery, clear debris blockage from blades.

WARRANTY



GREENWORKS™ hereby warrants this product, to the original purchaser with **proof of purchase**, for a period of four (4) years against defects in materials, parts or workmanship. GREENWORKS™, at its own discretion will repair or replace any and all parts found to be defective, through normal use, free of charge to the customer. This warranty is valid only for units which have been used for personal use that have not been hired or rented for industrial/commercial use, and that have been maintained in accordance with the instructions in the owners' manual supplied with the product from new.

Battery carries a two (2) year warranty against defects in workmanship and materials. Batteries must be charged in accordance with the operator's manuals directions and regulations in order to be valid.

ITEMS NOT COVERED BY WARRANTY:

1. Any part that has become inoperative due to misuse, commercial use, abuse, neglect, accident, improper maintenance, or alteration; or
2. The unit, if it has not been operated and/or maintained in accordance with the owner's manual; or
3. Normal wear, except as noted below;
4. Routine maintenance items such as lubricants, blade sharpening;
5. Normal deterioration of the exterior finish due to use or exposure.

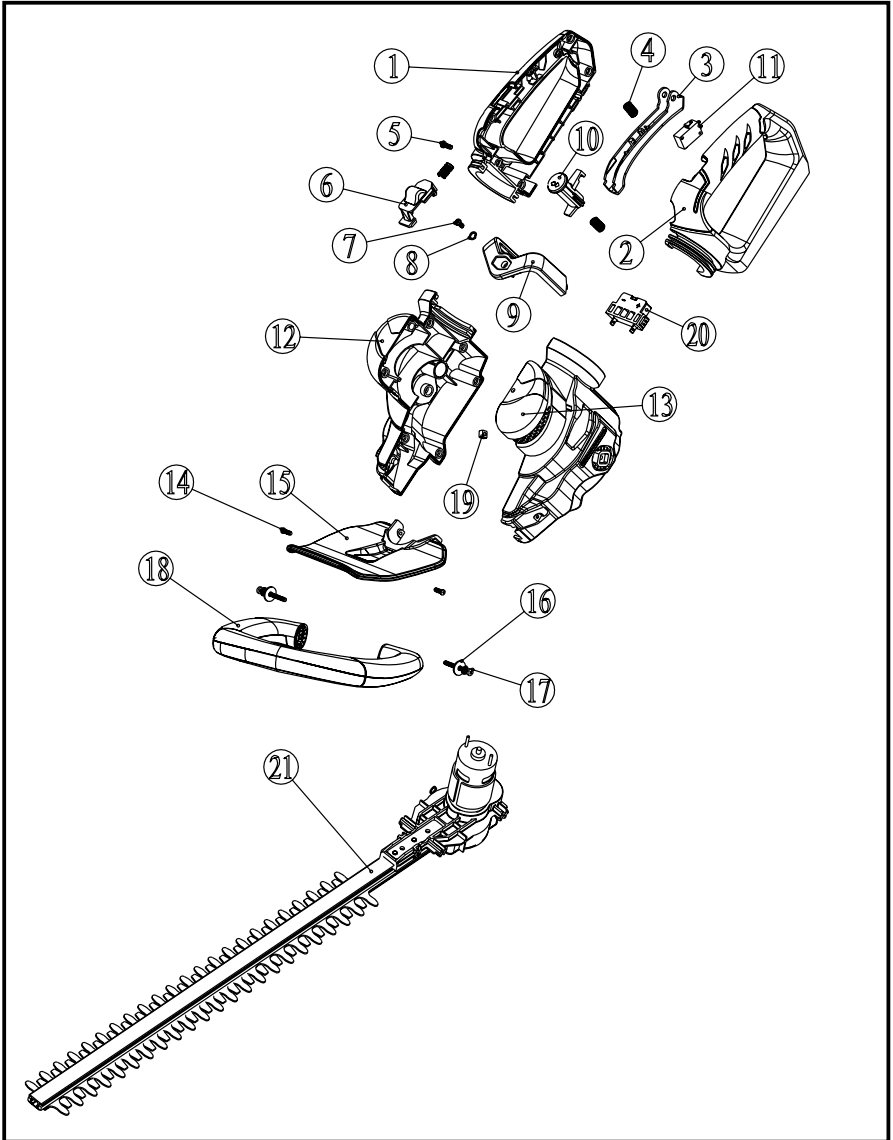
GREENWORKS HELPLINE (1 888 90WORKS):

Warranty service is available by calling our toll-free helpline, 9am to 5pm EST. at **1-888-909-6757 (1-888-90WORKS)**.

TRANSPORTATION CHARGES:

Transportation charges for the movement of any power equipment unit or attachment are the responsibility of the purchaser. It is the purchaser's responsibility to pay transportation charges for any part submitted for replacement under this warranty unless such return is requested in writing by GREENWORKS.

EXPLODED VIEW



PARTS LIST

ITEM NO.	PART NO.	DESCRIPTION	QTY
1	34106647	right handle	1
2	34105647	left handle	1
3	34107647	switch button	1
4	32201647	spring	3
5	32201459	screw	18
6	34109453-1	button	1
7	32211365	screw	1
8	3290675	washer	3
9	34104647	decoration ring	1
10	34102647	button	1
11	36301454-1	switch	1
12	34108647	right housing	1
13	34103647	left housing	1
14	3220203	screw	2
15	34101647	guard shield	1
16	3290305	washer	2
17	32201162	screw	2
18	31103453-1	assistant handle assembly	1
19	332203166	handle nut	1
20	34104978	housing battery socket	1
21	31110647	motor assembly	1



TOLL-FREE HELPLINE: 1-888-90WORKS (888.909.6757)

Rev: 00 (11-19-11)



Printed in China on 100% Recycled Paper